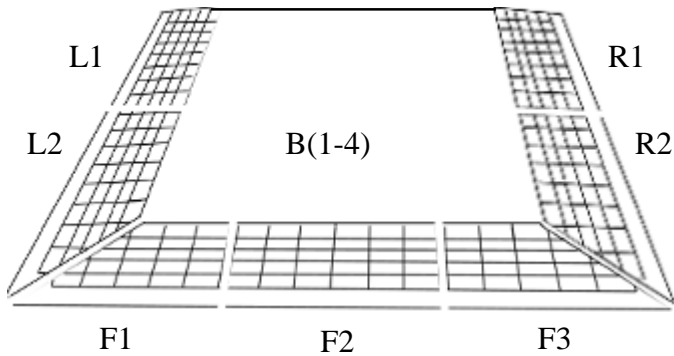




Entry Level Landings Installation Guide

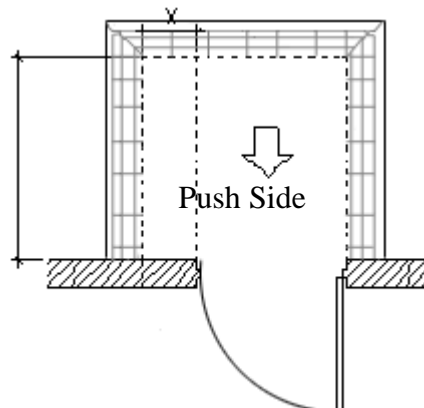
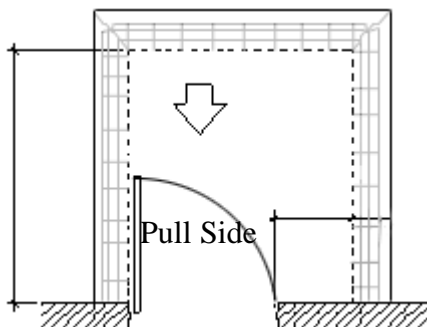


1. Identify all sections of landing corresponding to the image
2. Make sure you have every piece in the diagram

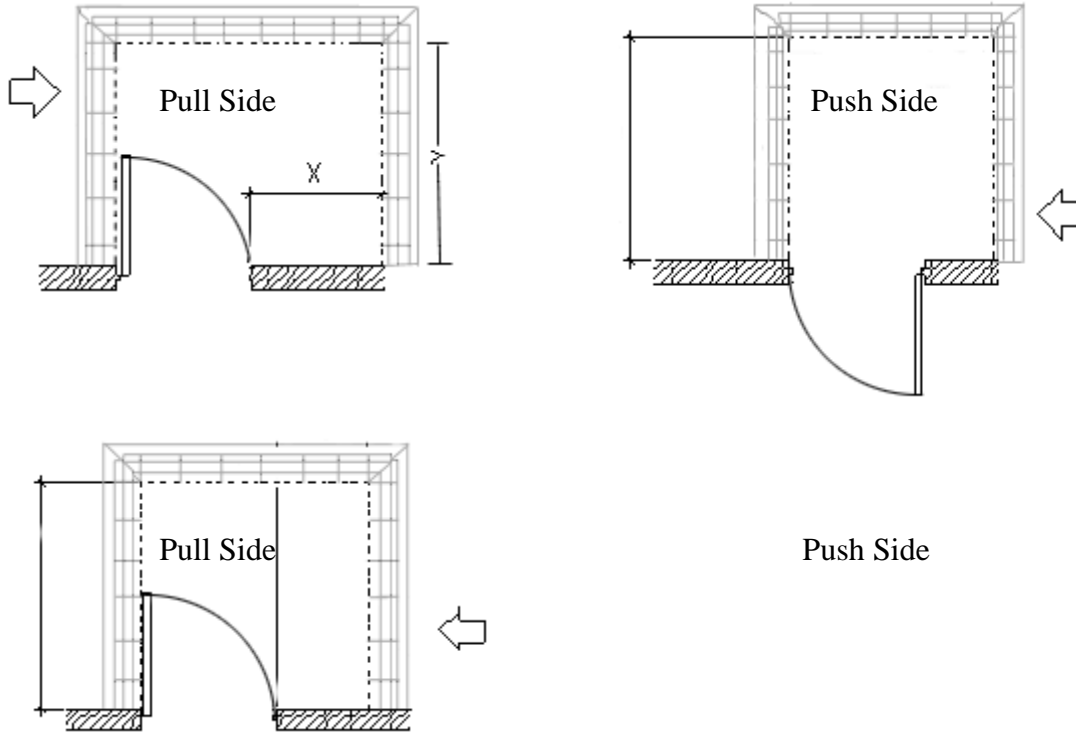
3. Begin by cleaning the ground with soap, water and a broom. Allow to dry before application.

4. Determine the position of each landing based off of the door type, path of travel etc.

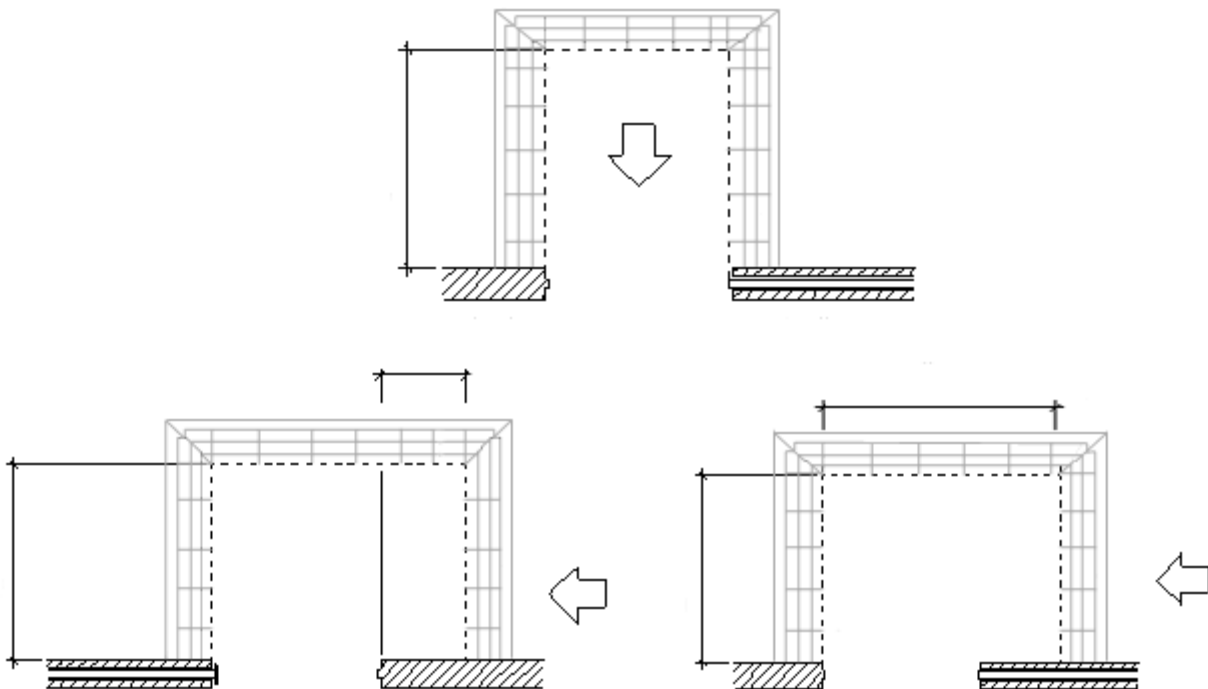
-For help determining how to choose and position the landing for your specific door type and path of travel, refer to the list of door types below (path of travel is indicated with arrows). In this section the proper measurements for your door type will be illustrated. Once you have determined the proper installation position for your doors, continue to step 5.

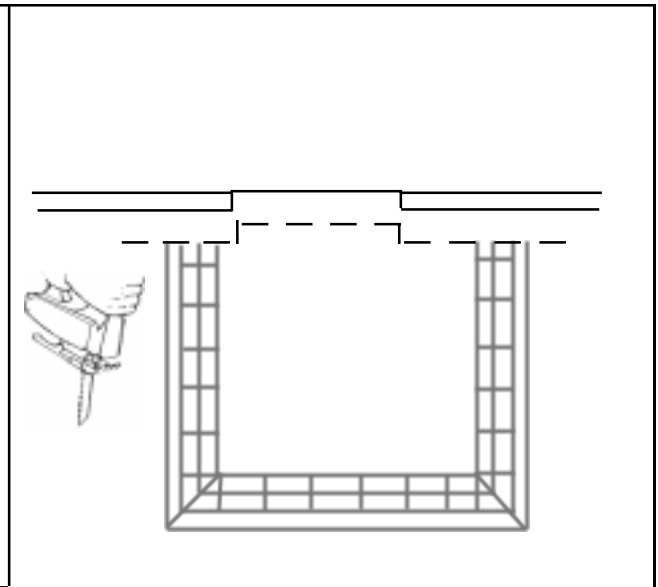
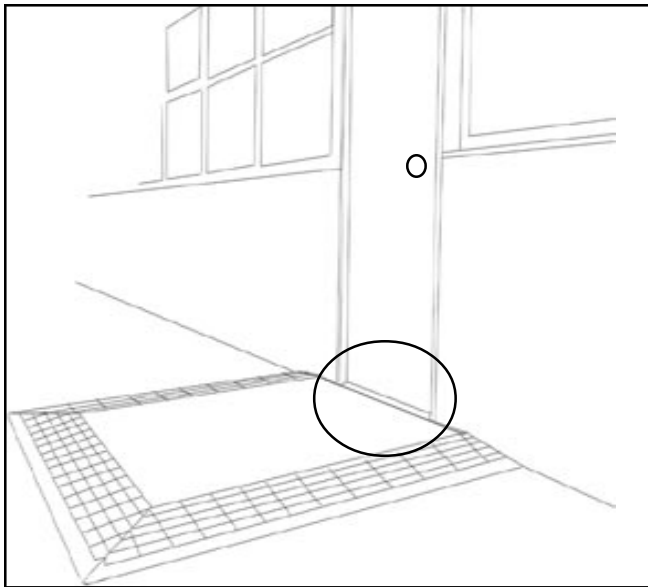


Arrows indicate path of travel



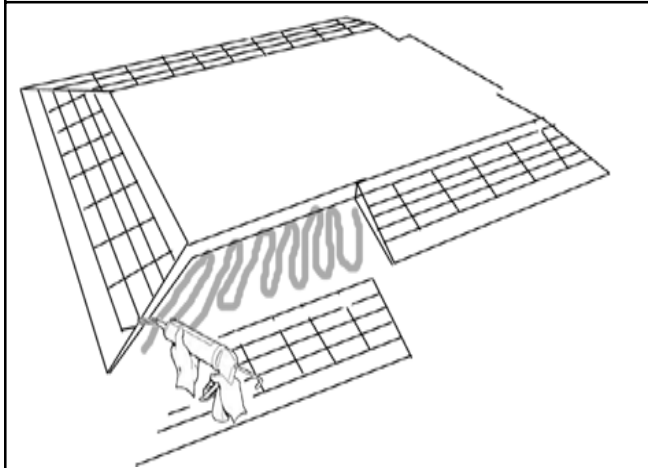
Sliding Doors





5. Dry fit each section together as seen in figure

6. The back of the landing may need to be cut or notched to fit the doorway (see details on figure 2B) if required than use a jig saw to cut the proper pattern



7. Once all the sections have been properly positioned, begin glueing them in place.

-Lift one section at a time, then lay glue down in a tight zig zag pattern

-Be sure not to use too much glue near the seams or edges as this will cause glue to ooze out of the cracks

Double Doors

